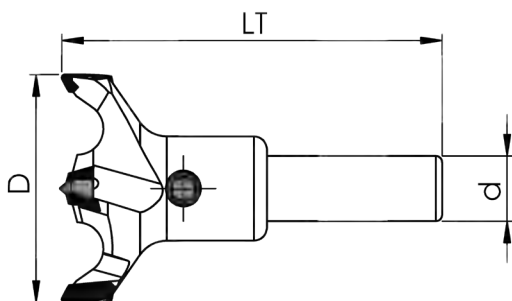


## Punte per cerniera

### Hinge boring drills



ØD	LT	Ød	Z	Codice
14	57	10	2+2	PC10.014.57.R/L
14	70	10	2+2	PC10.014.70.R/L
15	57	10	2+2	PC10.015.57.R/L
15	70	10	2+2	PC10.015.70.R/L
16	57	10	2+2	PC10.016.57.R/L
16	70	10	2+2	PC10.016.70.R/L
18	57	10	2+2	PC10.018.57.R/L
18	70	10	2+2	PC10.018.70.R/L
20	57	10	2+2	PC10.020.57.R/L
20	70	10	2+2	PC10.020.70.R/L
22	57	10	2+2	PC10.022.57.R/L
22	70	10	2+2	PC10.022.70.R/L
25	57	10	2+2	PC10.025.57.R/L
25	70	10	2+2	PC10.025.70.R/L
26	57	10	2+2	PC10.026.57.R/L
26	70	10	2+2	PC10.026.70.R/L
30	57	10	2+2	PC10.030.57.R/L
30	70	10	2+2	PC10.030.70.R/L
35	57	10	2+2	PC10.035.57.R/L
35	70	10	2+2	PC10.035.70.R/L
40	57	10	2+2	PC10.040.57.R/L
40	70	10	2+2	PC10.040.70.R/L



## PC11

ØD	LT	Ød	Z	Codice
35	57	10	2+4	PC11.035.57.R/L
35	70	10	2+4	PC11.035.70.R/L
40	57	10	2+4	PC11.040.57.R/L
40	70	10	2+4	PC11.040.70.R/L



### Caratteristiche :

Punta in diamante per eseguire sedi per cerniere, con ottima finitura della parte superiore del pannello e foro di diametro per tutta la sua profondità. Su pannelli in truciolare rivestiti e non, MDF, laminati in genere. Da montare su macchine foratrici.  
Altezza diamante 4mm.

### Characteristics:

Diamond drill with for makeseats with excellent finish of upper part of panel and with diameter of hole constant for all his depth. On chipboard coated panels and not, MDF, laminated in general. To put on drilling machines.  
Diamond height 4mm.